

PERFORMANCE DATA SHEET NEMA PREMIUM NR CAN NEMA 12 - 12

Catalogue #: **MPOP-63**

| HP | kW | Voltage | S.F. @ 60Hz | EFF. | P.F. | Frame | Design | L.R. Amps |
|----|-------|---------|-------------|-------|------|-------|--------|-----------|
| 50 | 37,30 | 575 | 1,15 | 94,1% | 0,83 | 365T | B | 290 |

| 60 Hz | | | | | | | | Code | F.L. RPM |
|-------|-----|-----|-----|-----|-----|-------|--|------|----------|
| FLA | | | | | | | | | |
| 208 | 230 | 416 | 460 | 480 | 575 | 600 | | G | 1185 |
| / | / | / | / | / | 50 | 47,91 | | | |

| 50 Hz | | | | | | | | Code | F.L. RPM |
|-------|-----|-----|-------------|------------|--------------|---|---|------|----------|
| FLA | | | S.F. @ 50Hz | Efficiency | Power Factor | | | | |
| 190 | 380 | 415 | | | | / | / | / | / |
| / | / | / | | | | | | | |

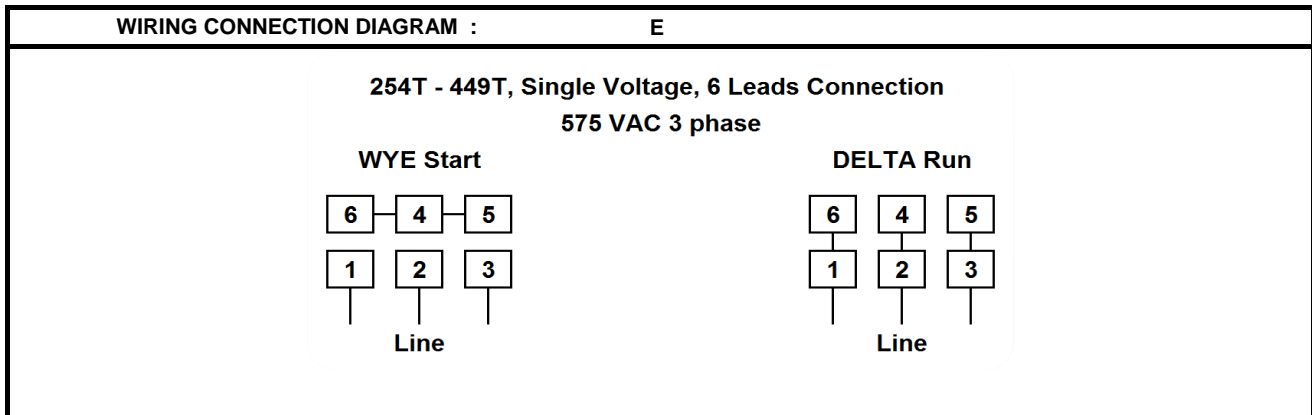
| Wgt. Lbs | PH | Duty | Insul. Class | Amb. | Elevation | Temp. Rise° C |
|----------|----|-------|--------------|------|-----------------|---------------|
| 752 | 3 | Cont. | F | 40°C | 1000M (3300 Ft) | < 80 |

| % Efficiency | | % Power Factor | | Torque | | Winding Resist. Ω | Safe Cold Start (Secs) |
|--------------|-------|----------------|------|------------------|-------|-------------------|------------------------|
| Full Load: | 94,1% | Full Load: | 0,83 | Full Load Ft/Lbs | 221,6 | | |
| 3/4 Load: | 94,0% | 3/4 Load: | 0,80 | Locked Rotor % | 190 | | |
| 1/2 Load: | 93,8% | 1/2 Load: | 0,70 | Break Down % | 260 | | |
| | | | | | | 0 | 20 |

| Rotor Inertia Wk2 Lb-Ft2 | Max Load Inertia Wk2 Lb-Ft2 | Shaft Material | Frame Material | DE Bracket Type | ODE Bracket Type | Enclosure | NEMA Rating | Lead Wire Size |
|--------------------------|-----------------------------|----------------|----------------|-----------------|------------------|-----------|-------------|----------------|
| 14,95 | 846,3 | Standard | Cast Iron | Standard | Standard | ODP | IP23 | 8AWG |

| Ball Bearings | | Grease | Mount Type | Orientation | Paint | Sound Pressure @ 3FT | Sound Power |
|---------------|------|-----------------|------------|-------------|-------|----------------------|-------------|
| DE | ODE | | | | | | |
| 6313 | 6313 | Mobil PolyrexEm | Rigid | Horizontal | Green | 75 | 86 |

| Inverter Duty. Motor meets MG1 parts 31.4.4.2 | Constant Torque Range | Variable Torque Range | Constant HP RPM |
|--|-----------------------|-----------------------|-----------------|
| | | 10:1 | 20:1 |

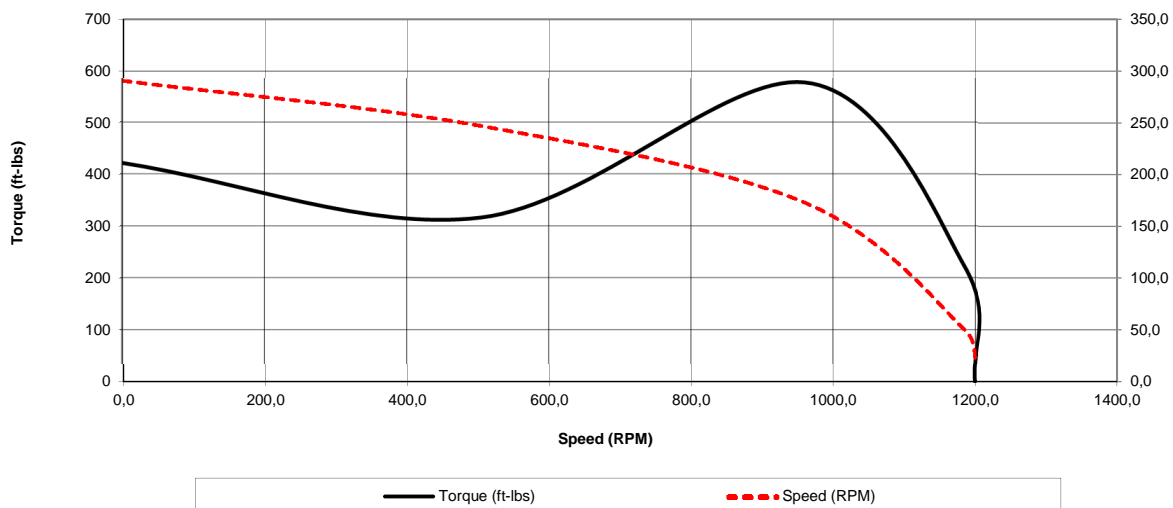


Date: 2020-02-25
 Customer: _____
 Contact: _____
 Submittee: J.C. Lavallée

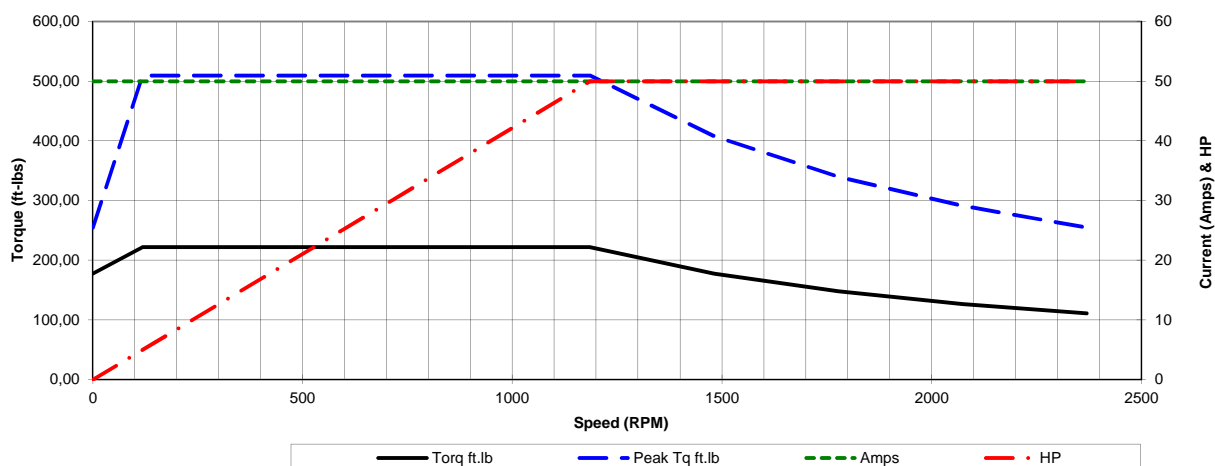
Catalogue #: **MPOP-63**

| NEMA PREMIUM NR CAN NEMA 12 - 12 | | | | | | | | | | |
|----------------------------------|--------------|---------|-----------|------------|-----------|--------------------------------------|---------|----------------|------------------|---------------|
| HP | VAC | RPM | Enclosure | Frame | Frequency | Design | Poles | LR Code Letter | Insulation Class | Temp. Rise °C |
| 50 | 575 | 1185 | ODP | 365T | 60 | B | 6 | G | F | < 80 |
| | 0Hz | 6Hz | 15Hz | 30Hz | 45Hz | 60Hz | 75Hz | 90Hz | 105Hz | 120Hz |
| Amps | 50 | 50 | 50 | 50 | 50 | 50 | 50 | 50 | 50 | 50 |
| RPM | 0 | 118,5 | 296,25 | 592,5 | 888,75 | 1185 | 1481,25 | 1777,5 | 2073,75 | 2370 |
| Torq ft.lb | 177,28 | 221,60 | 221,60 | 221,60 | 221,60 | 221,60 | 177,28 | 147,74 | 126,63 | 110,80 |
| Peak Tq ft.lb | 254,84 | 509,69 | 509,69 | 509,69 | 509,69 | 509,69 | 407,75 | 339,79 | 291,25 | 254,84 |
| HP | 0 | 5,0 | 12,5 | 25,0 | 37,5 | 50,0 | 50,0 | 50,0 | 50,0 | 50,0 |
| | Locked Rotor | Pull-Up | Breakdown | Rated Load | Idle | Duty | S. F. | Ambient | Elevation | dBA @ 1M |
| Speed (RPM) | 0,0 | 504 | 960 | 1185 | 1200 | Continuous | 1,15 | 40°C | 3300 ft | 75 |
| Current (Amps) | 290,0 | 246,5 | 172,6 | 50,0 | 19,4 | VFD Rating: Meets MG1 parts 31.4.4.2 | | | | |
| Torque (ft-lbs) | 421,0 | 315,8 | 576,2 | 221,6 | 0,0 | C.T. | 10:1 | V.T. | 20:1 | |

Motor Speed Data



Motor Torque Capability vs RPM





Date: 2020-02-25
 Customer: _____
 Contact: _____
 Submittee: J.C. Lavallée

Catalogue #: **MPOP-63**

| NEMA PREMIUM NR CAN NEMA 12 - 12 | | | | | | | | | | |
|----------------------------------|---------------------|----------------|------------------|-------------------|-------------|---|--------------|----------------|------------------|-----------------|
| HP | VAC | RPM | Enclosure | Frame | Frequency | Design | Poles | LR Code Letter | Insulation Class | Temp. Rise °C |
| 50 | 575 | 1185 | ODP | 365T | 60 | B | 6 | G | F | < 80 |
| Load % | 0% | 25% | 50% | 75% | 100% | 125% | 150% | | | |
| Amps | 19,35 | 21,50 | 30,10 | 40,30 | 50,00 | 59,94 | 72,98 | | | |
| Torq ft/lbs | 0 | 54,88 | 110,10 | 165,68 | 221,60 | 277,88 | 334,52 | | | |
| RPM | 0 | 1196,25 | 1192,5 | 1188,75 | 1185 | 1181,25 | 1177,5 | | | |
| Eff | 0 | 85,56 | 93,80 | 94,00 | 94,10 | 94,10 | 94,10 | | | |
| PF | 0 | 50,9 | 70 | 80 | 83 | 83 | 81,8 | | | |
| | Locked Rotor | Pull-Up | Breakdown | Rated Load | Idle | Duty | S. F. | Ambient | Elevation | dBA @ 1M |
| Speed (RPM) | 0 | 504 | 960 | 1185 | 1200 | Continuous | 1,15 | 40°C | 3300 ft | 75 |
| Current (Amps) | 290 | 246,5 | 172,6 | 50 | 19,35 | VFD Rating: Meets MG1 parts 31.4.4.2 | | | | |
| Torque (ft-lbs) | 421,05 | 315,78 | 576,17 | 221,60 | 0,0 | C.T. | 10:1 | V.T. | 20:1 | |

